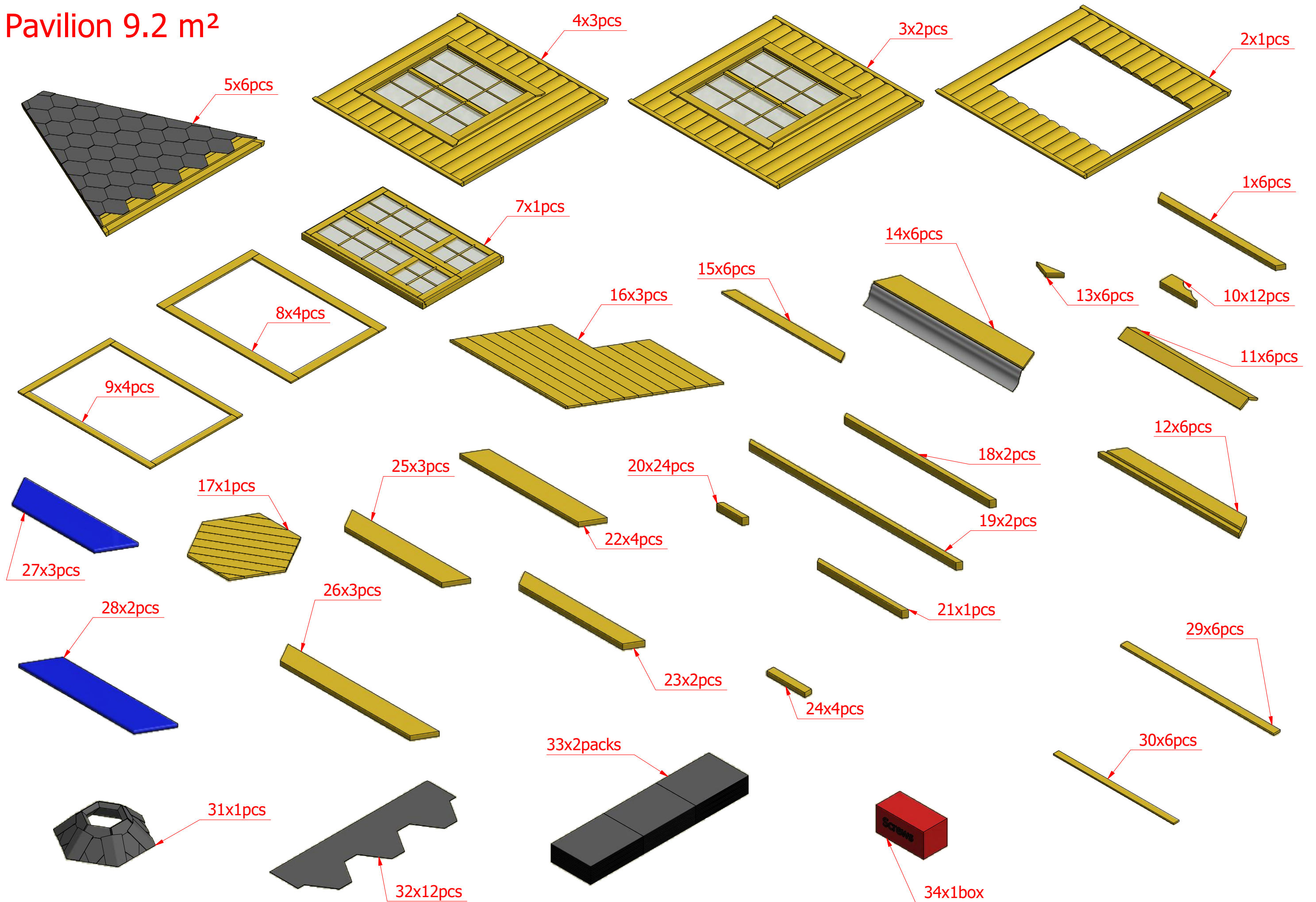


Pavilion 9.2 m²

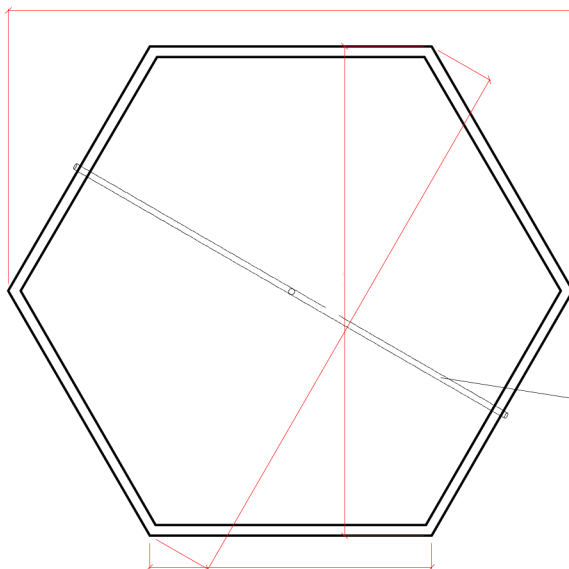


Pavilion 9.2 m²

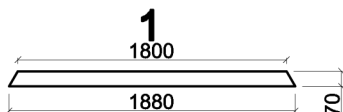
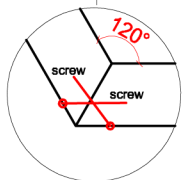
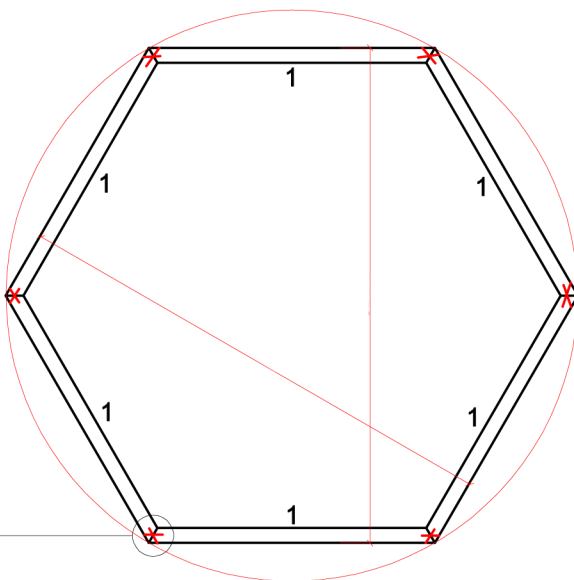


Denne side gjelder kun dersom lysthuset er levert med grill.

Base assembly Fundaments/ foundation



Lufterør
Lufterøret (dimensjon på 110mm) må legges under fundamentet.

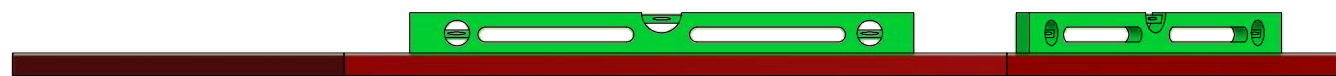
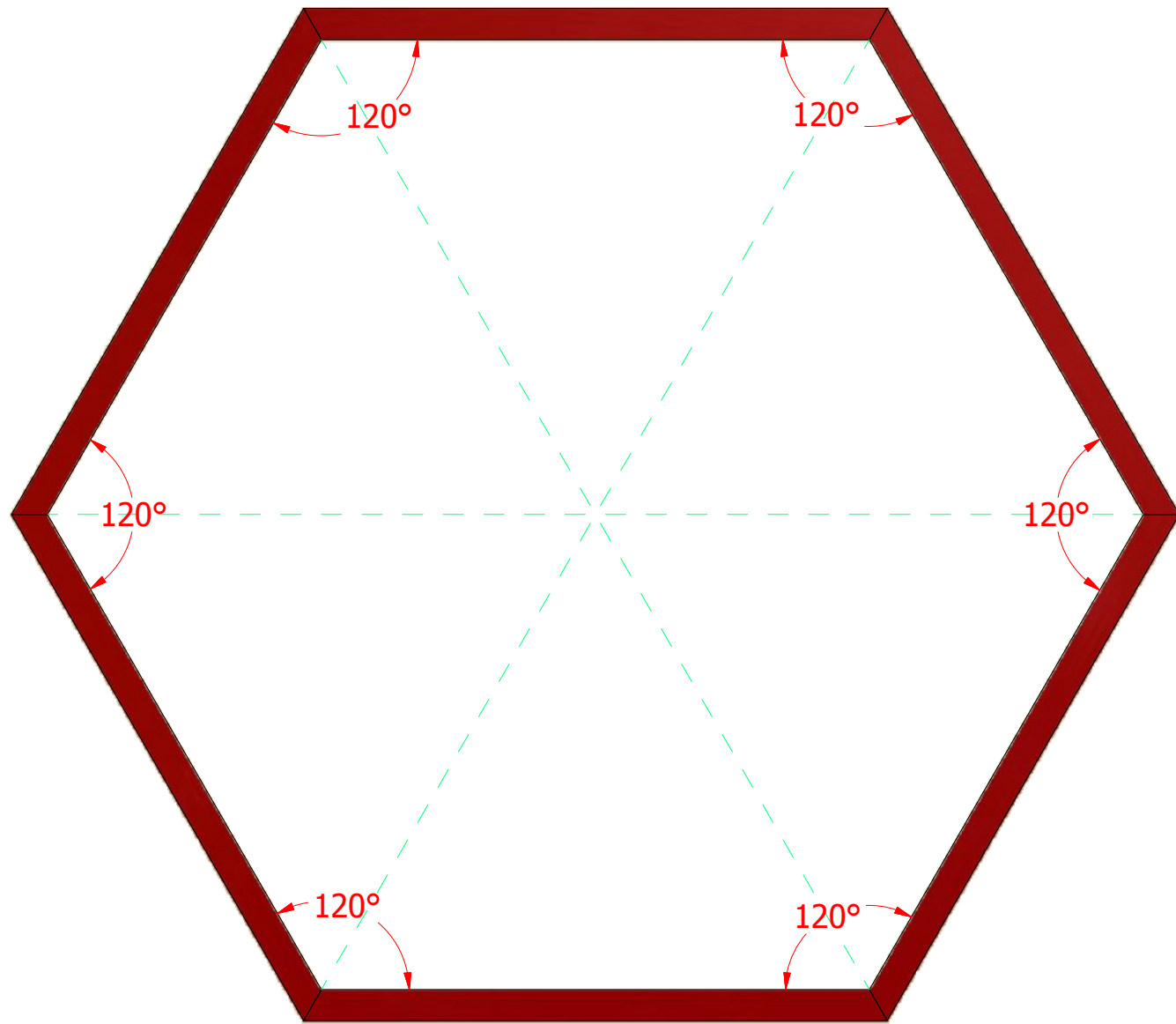


Foundation can be made of stone, concrete or sand. Make sure that the surface of foundation is at the same level.
Then screw together the impregnated ground beams.

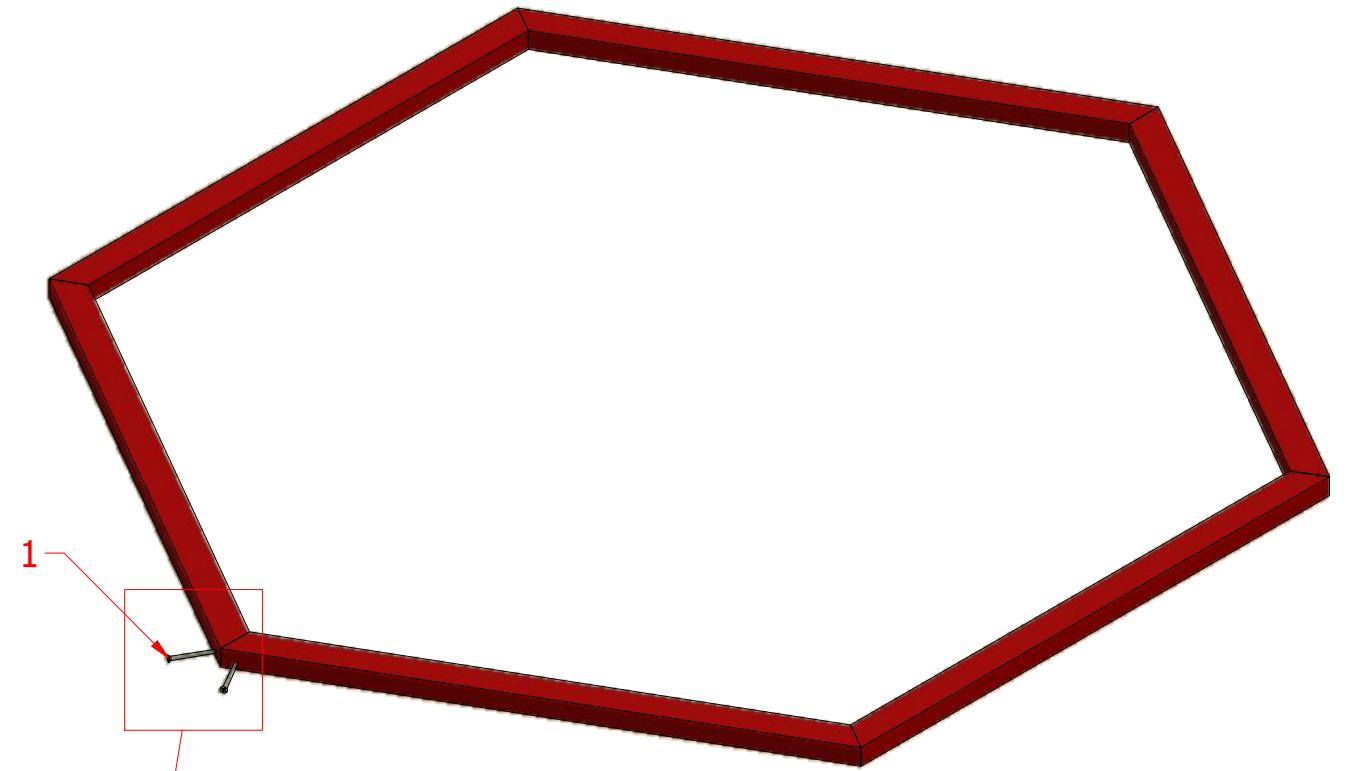
REMARK

No. 1 6 Ground beams, 12 screw 4x 120 mm

Pavilion 9.2 m²



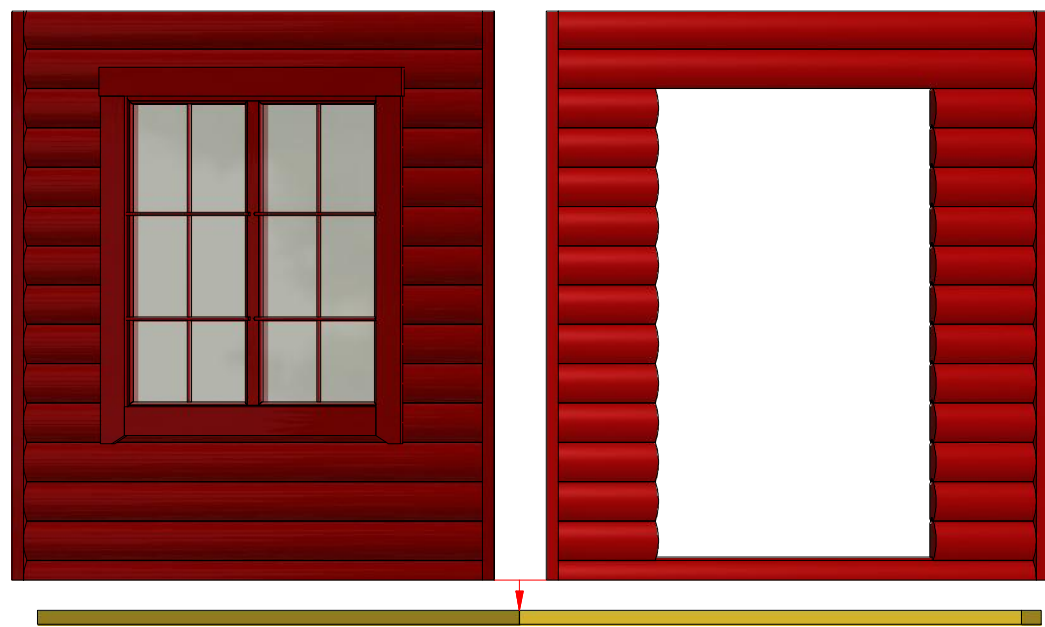
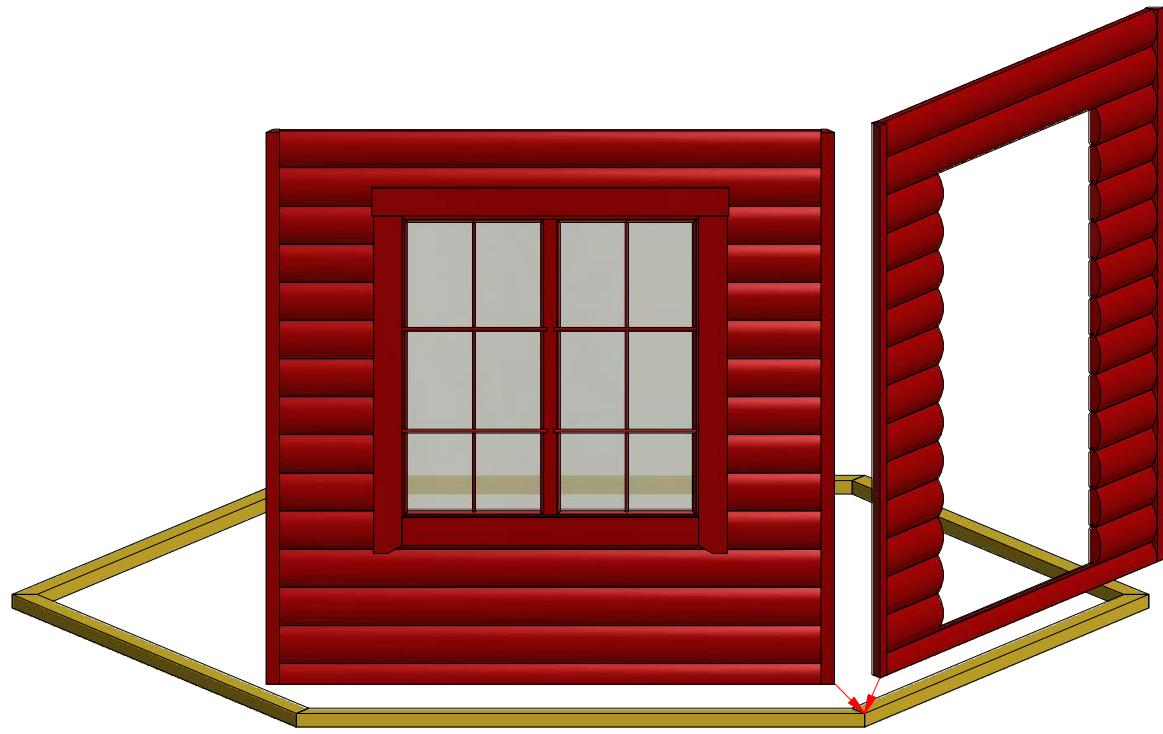
Screws			
1	S1	5x100	12 pcs



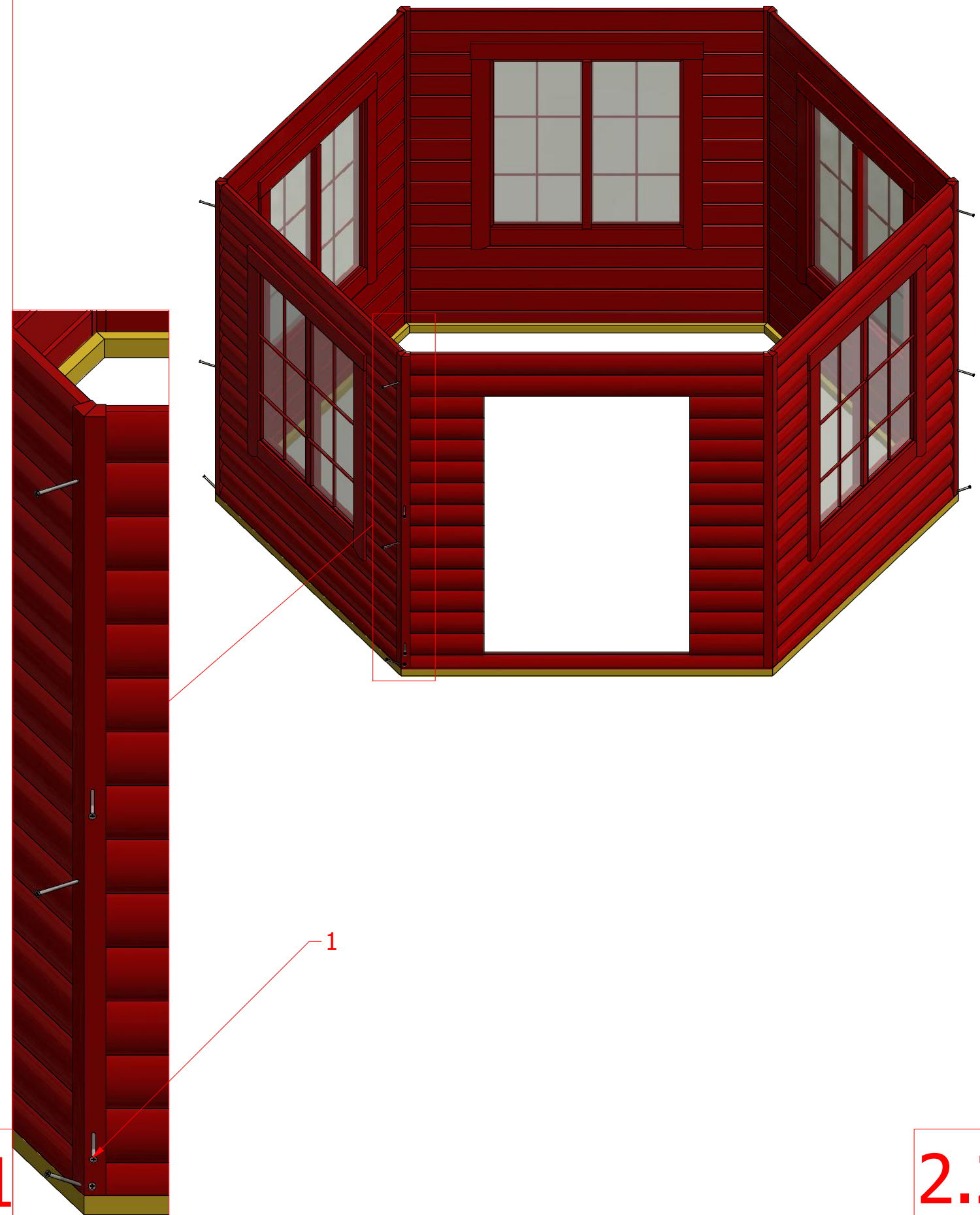
1

Pavilion 9.2 m²

Screws			
1	S2	4x70	36 pcs



2.1

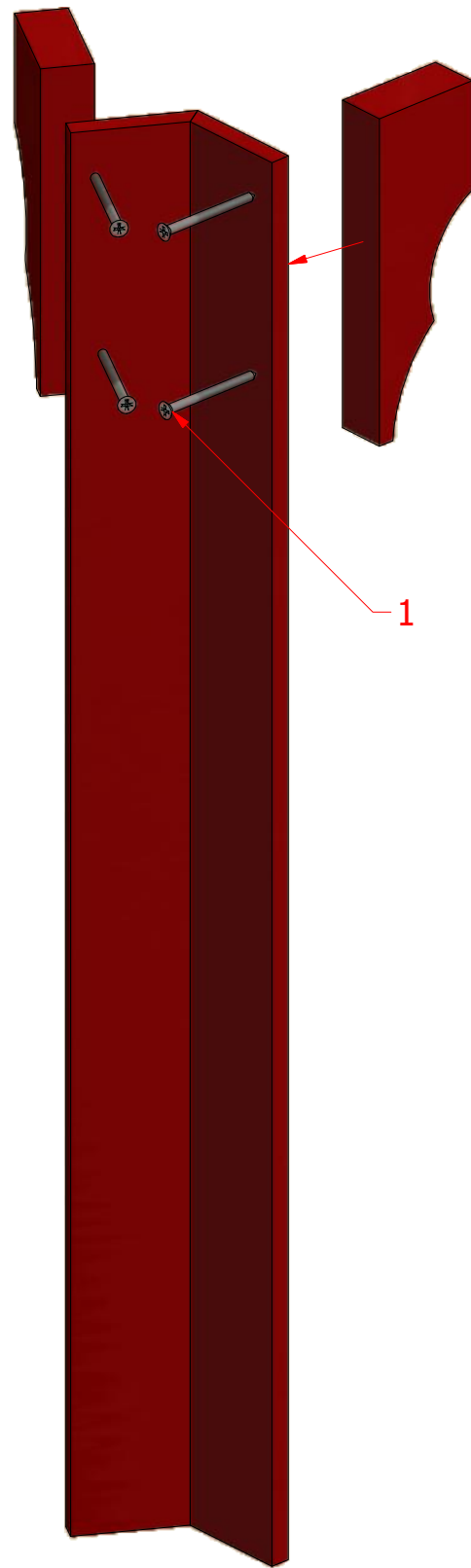


2.2

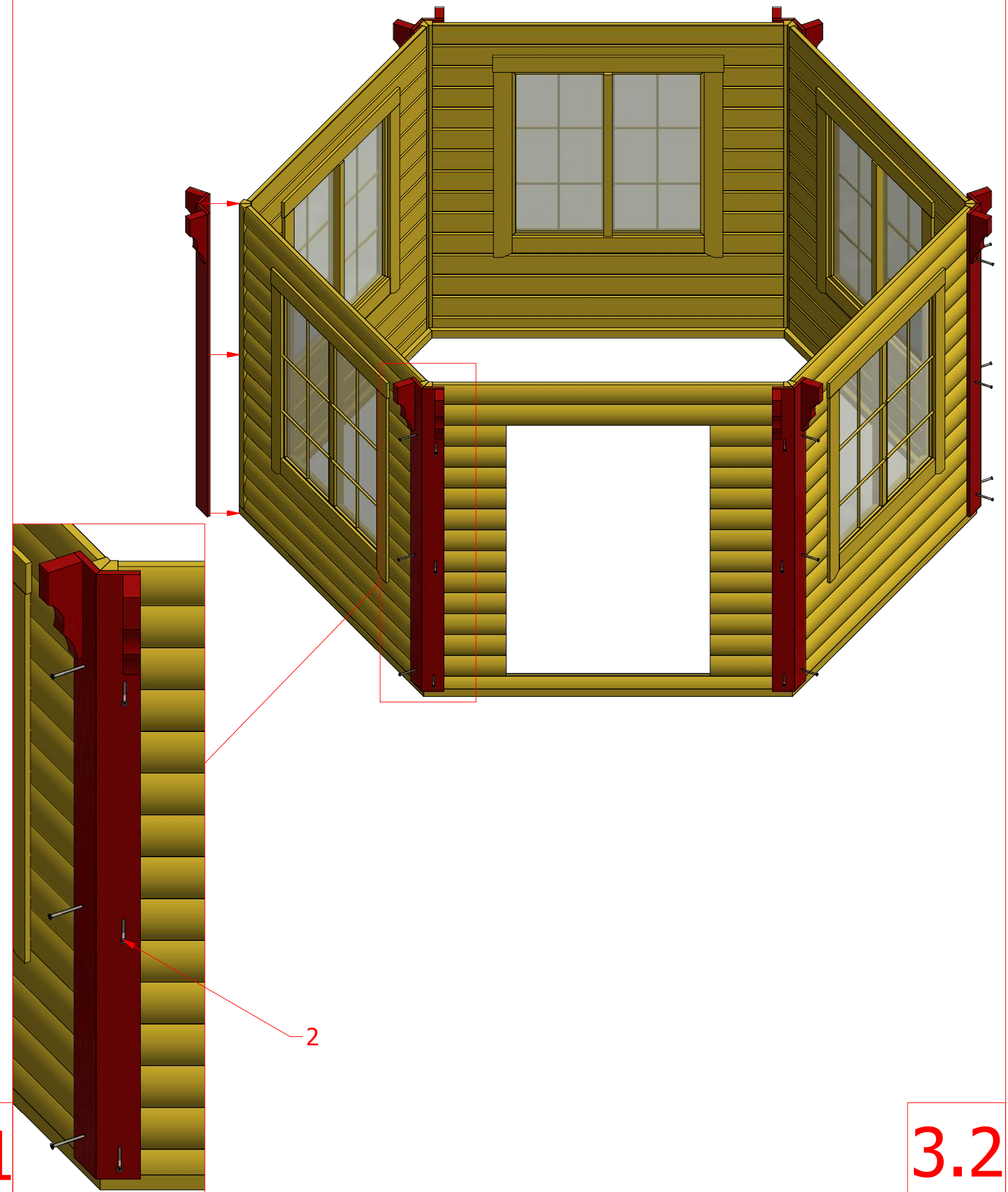
Pavilion 9.2 m²

Screws

1	S2	4x70	24 pcs
2	S3	3.5x45	36 pcs



3.1

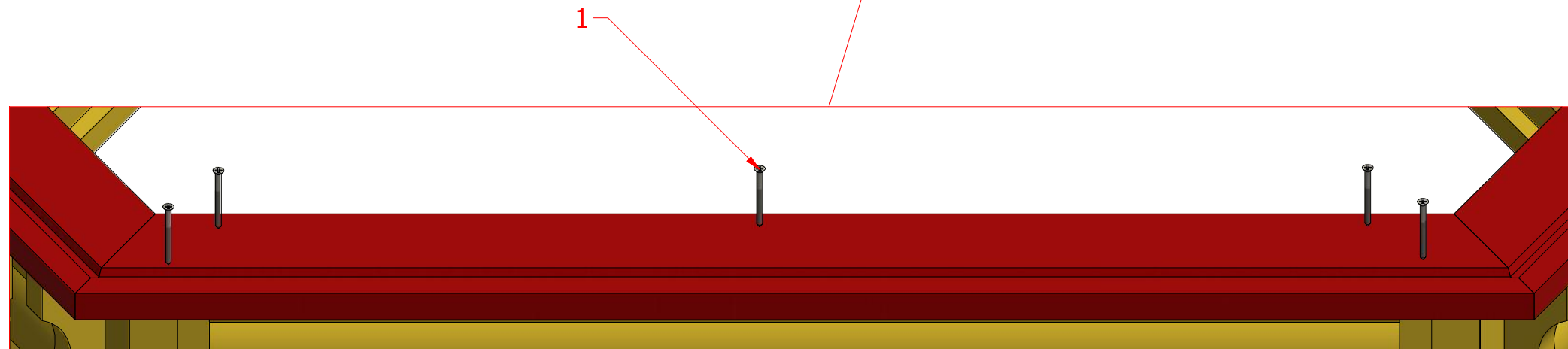
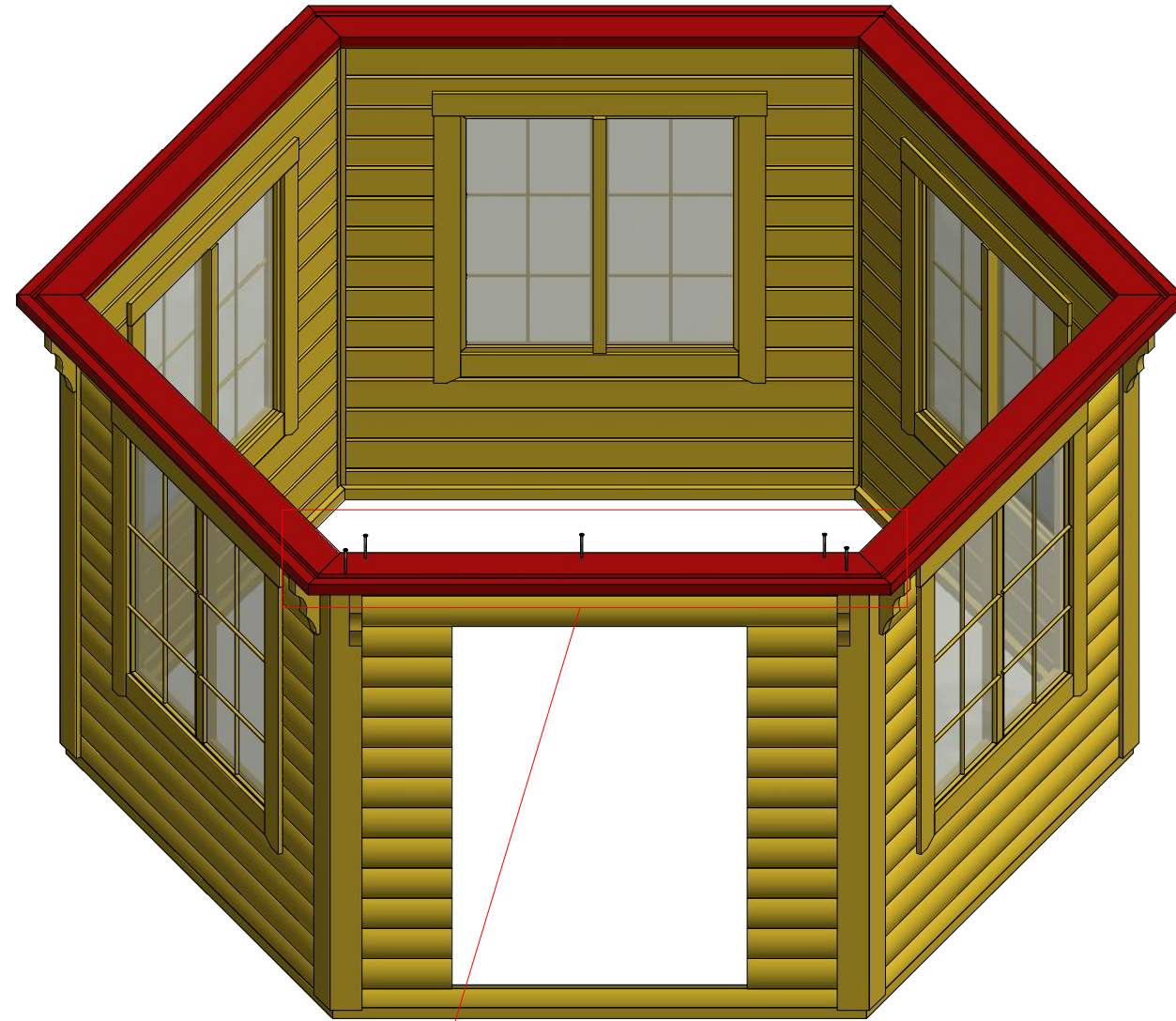
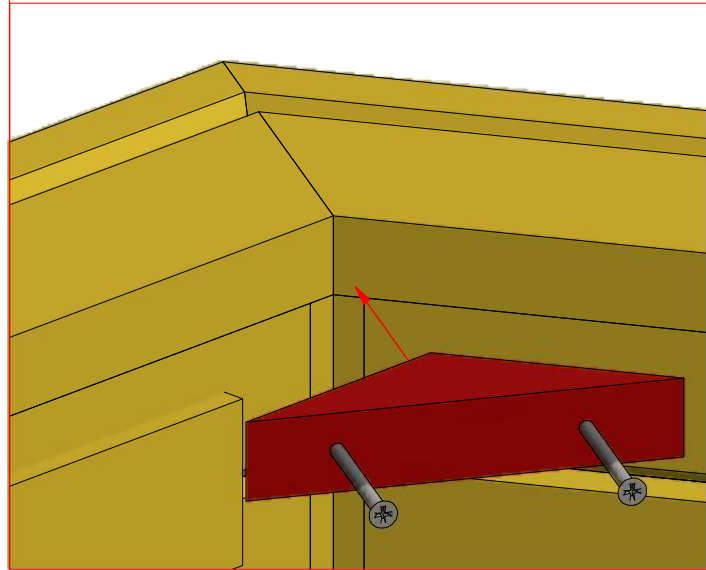


3.2

Pavilion 9.2 m²

Screws

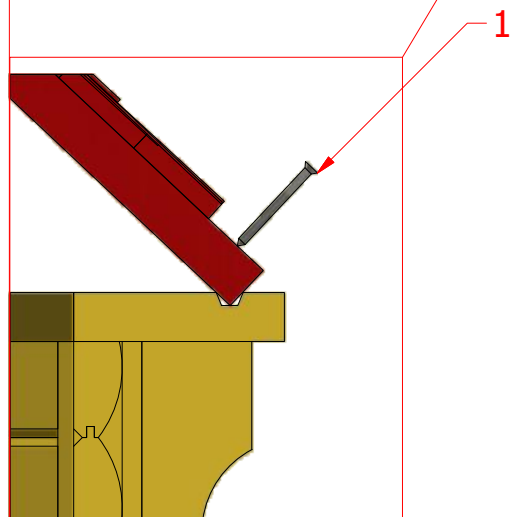
1	S2	4x70	42 pcs



Pavilion 9.2 m²

Screws

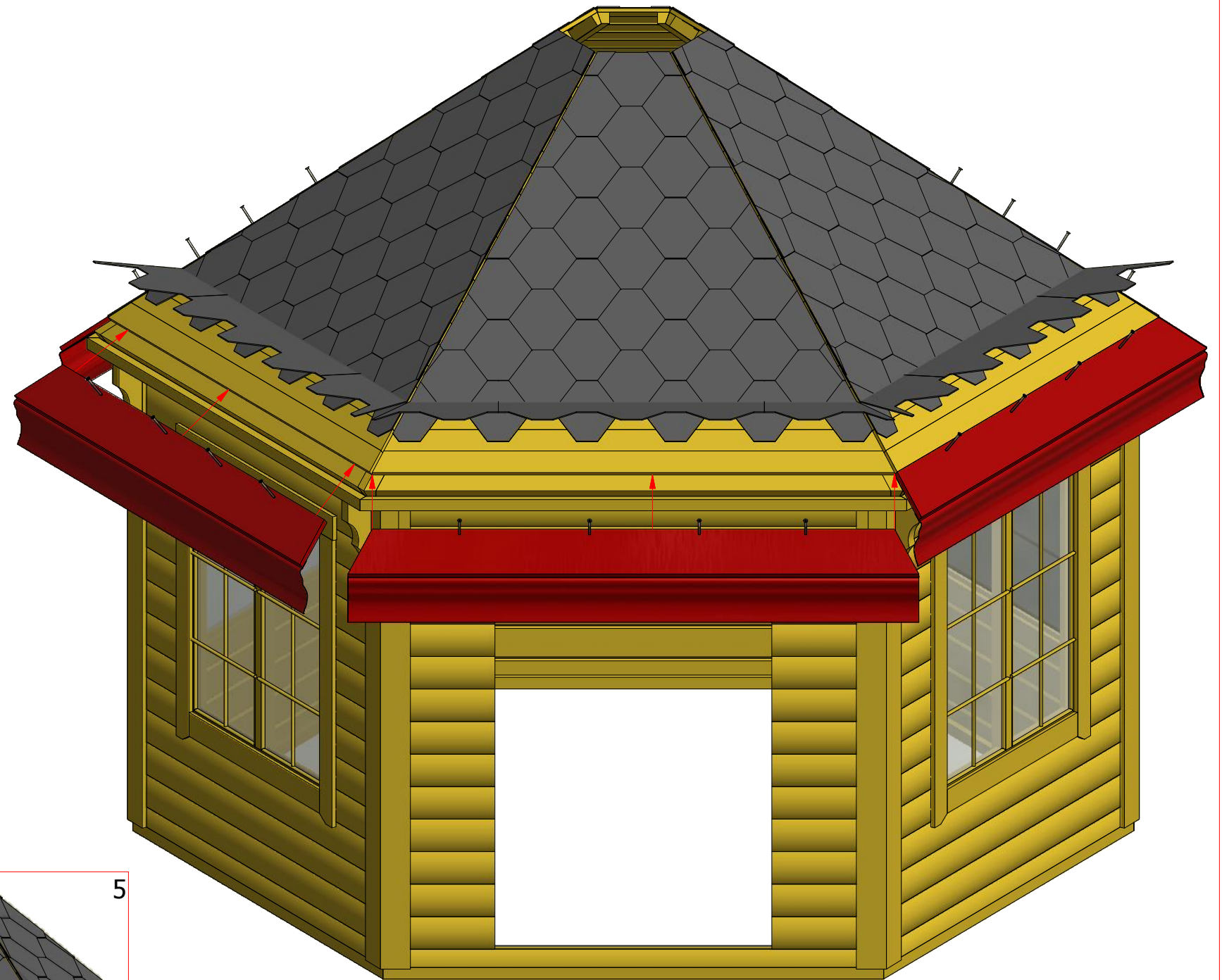
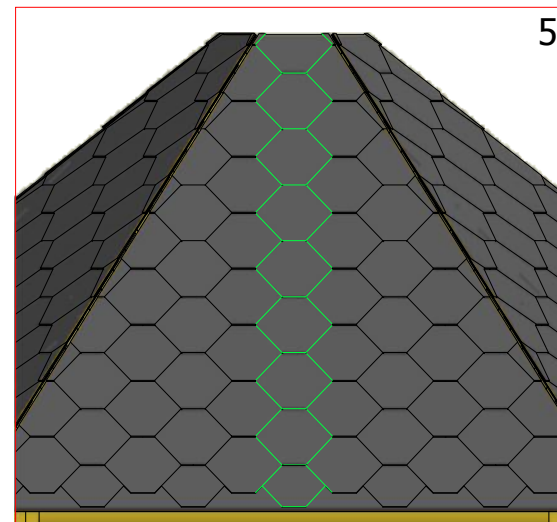
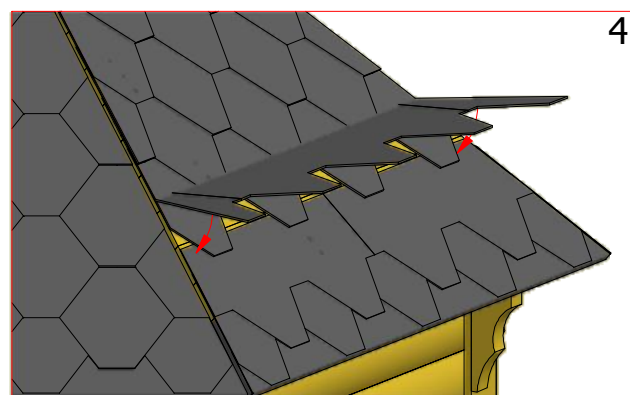
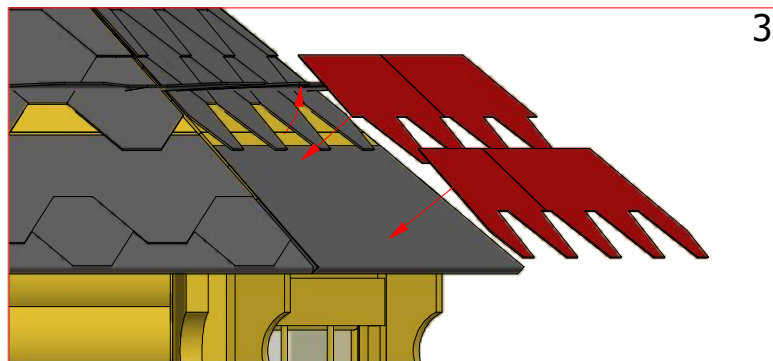
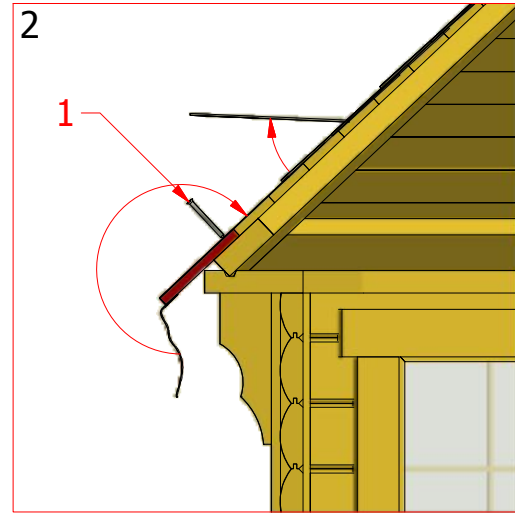
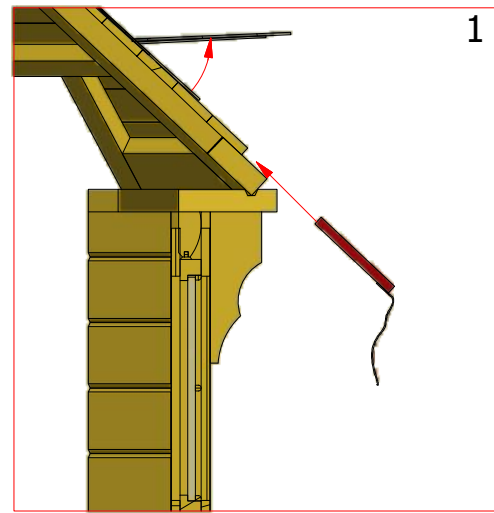
1	S2	4x70	42 pcs



Pavilion 9.2 m²

Screws

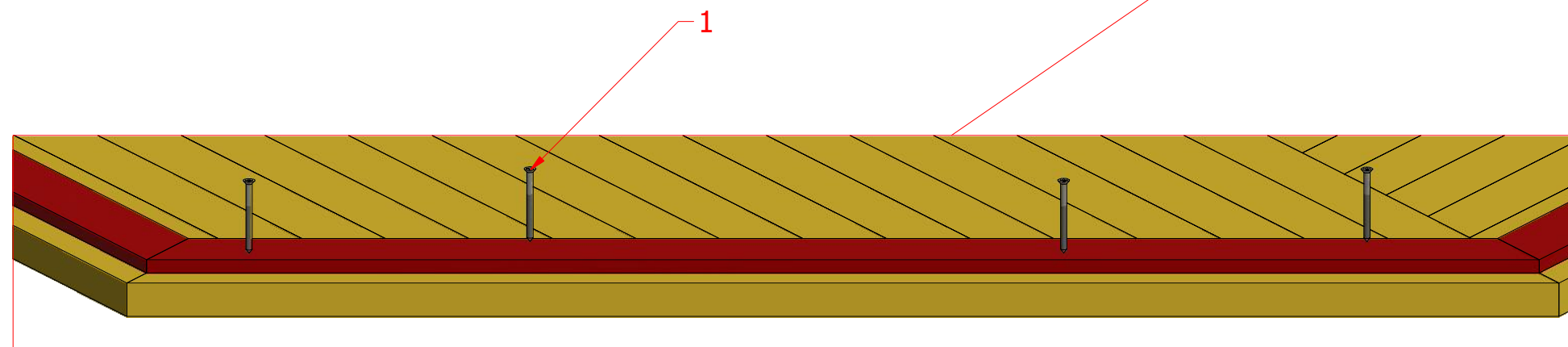
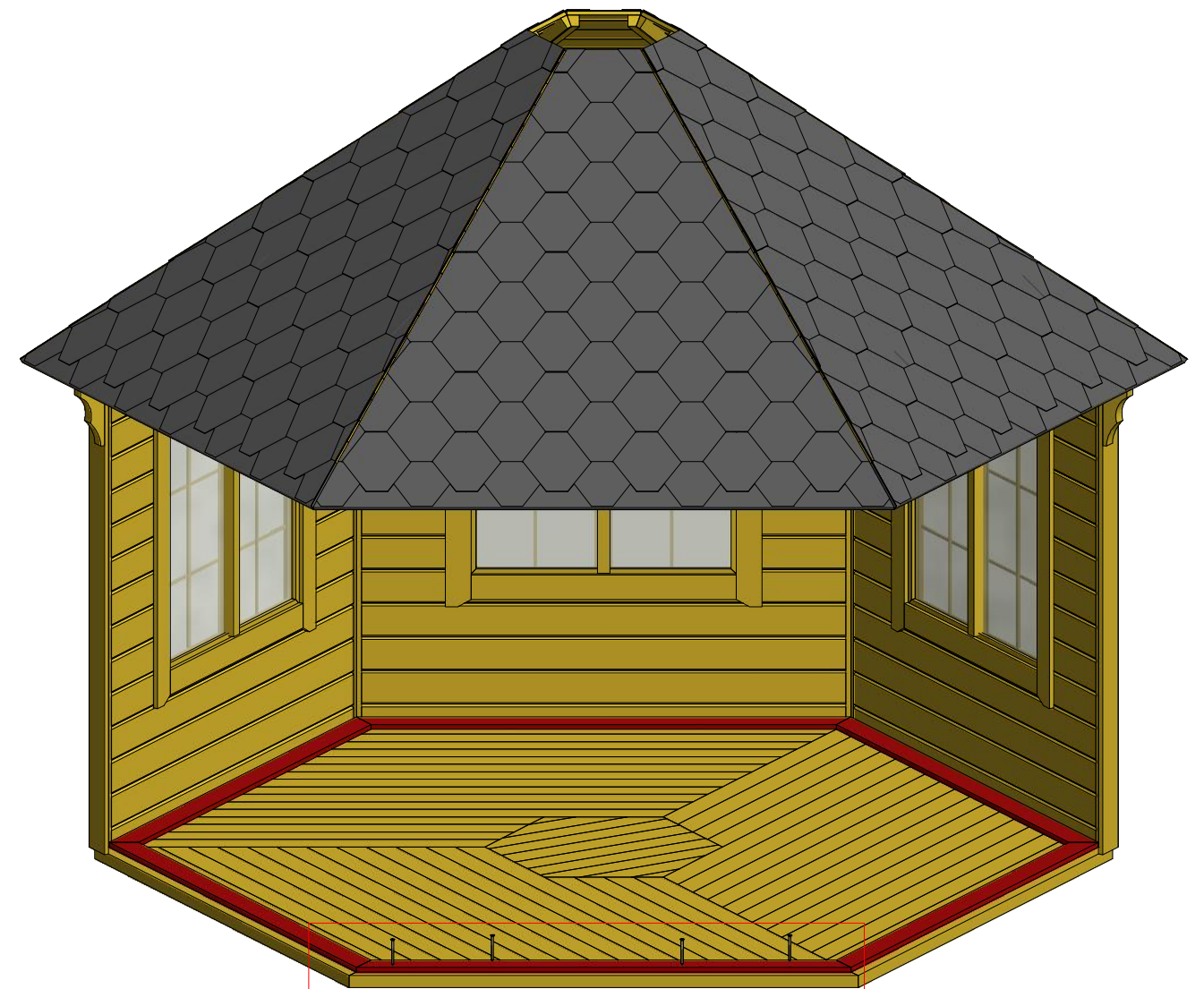
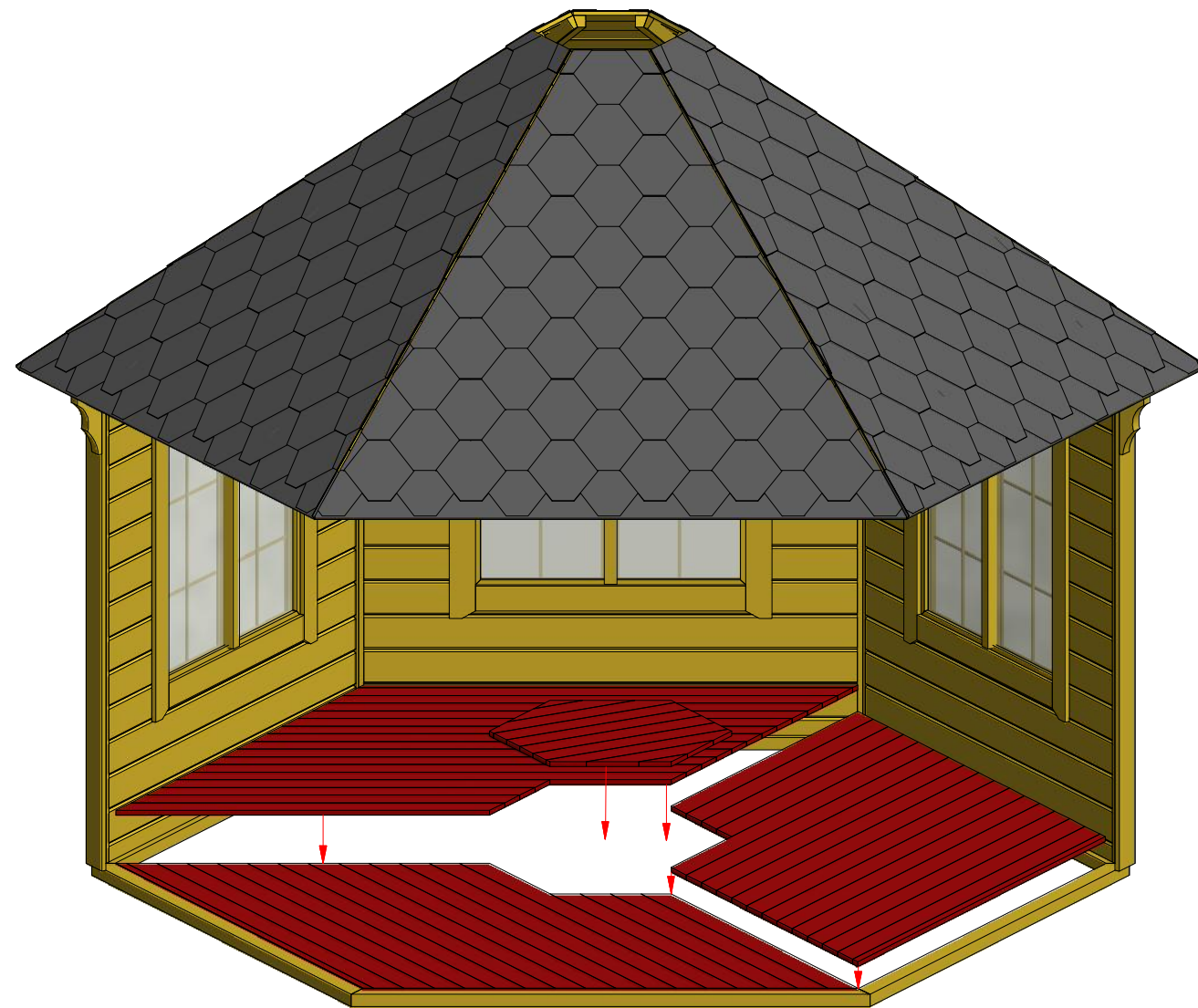
1	S3	3.5x45	24 pcs
2	V1	2.5x25	



Pavilion 9.2 m²

Screws

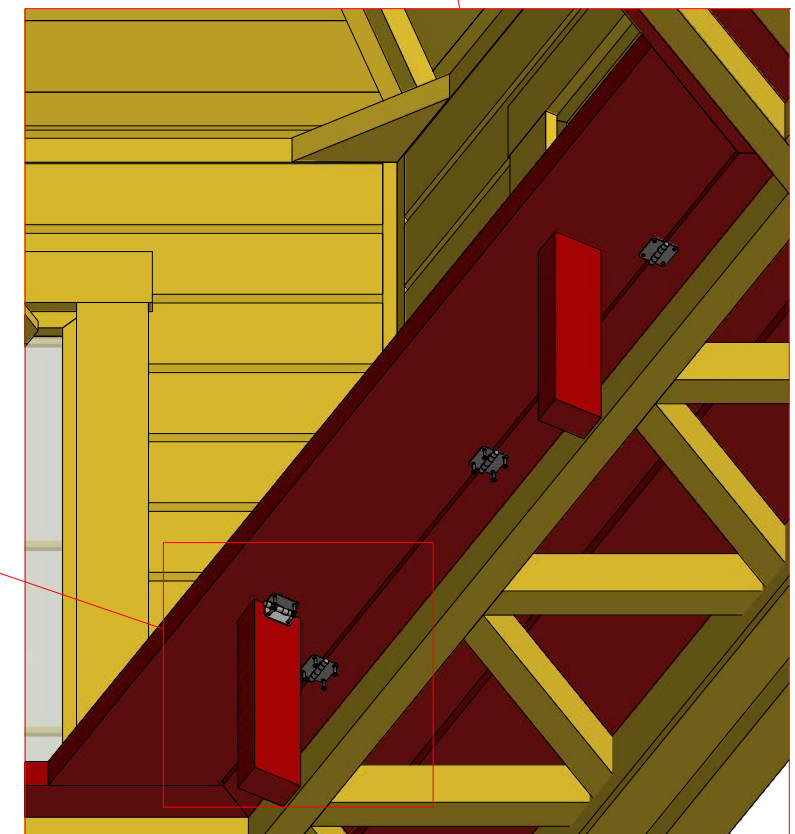
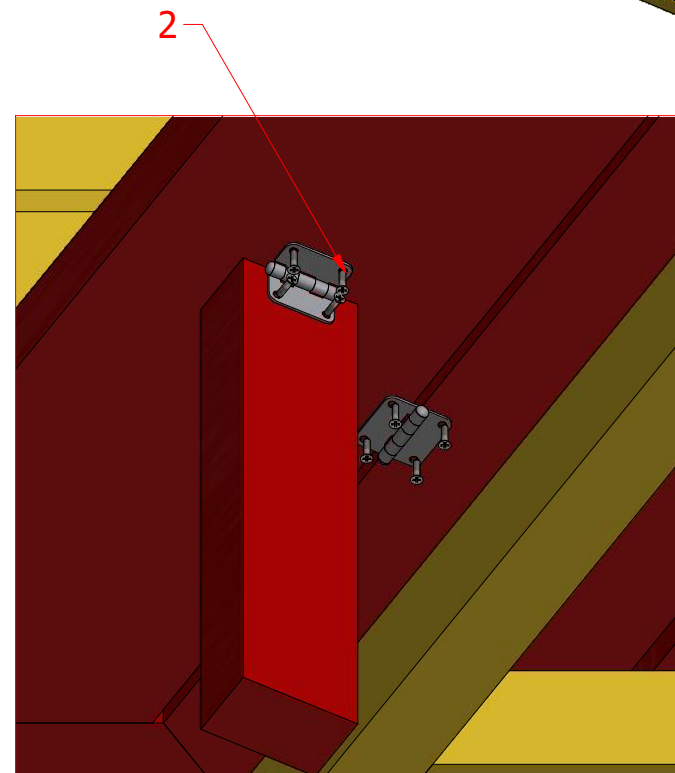
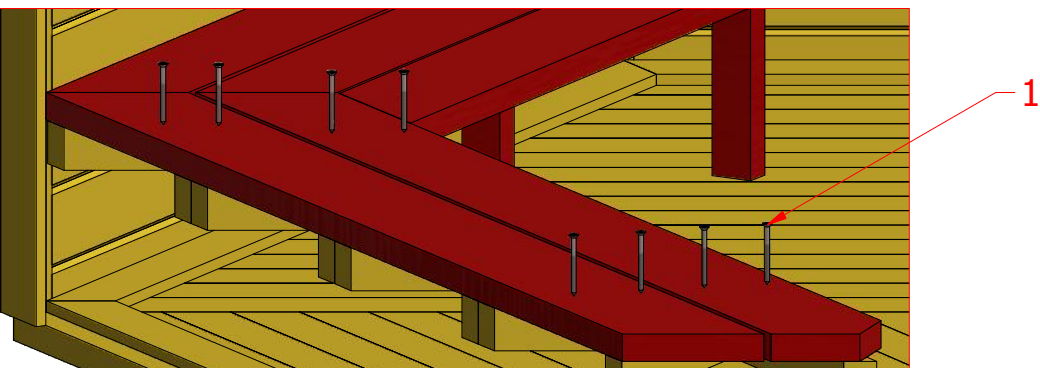
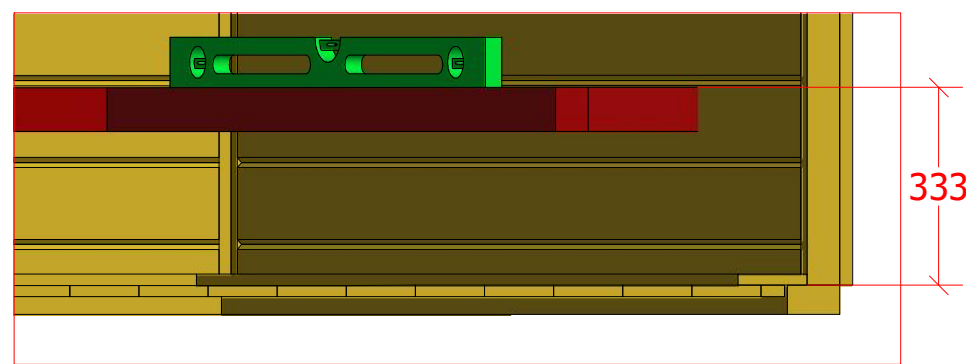
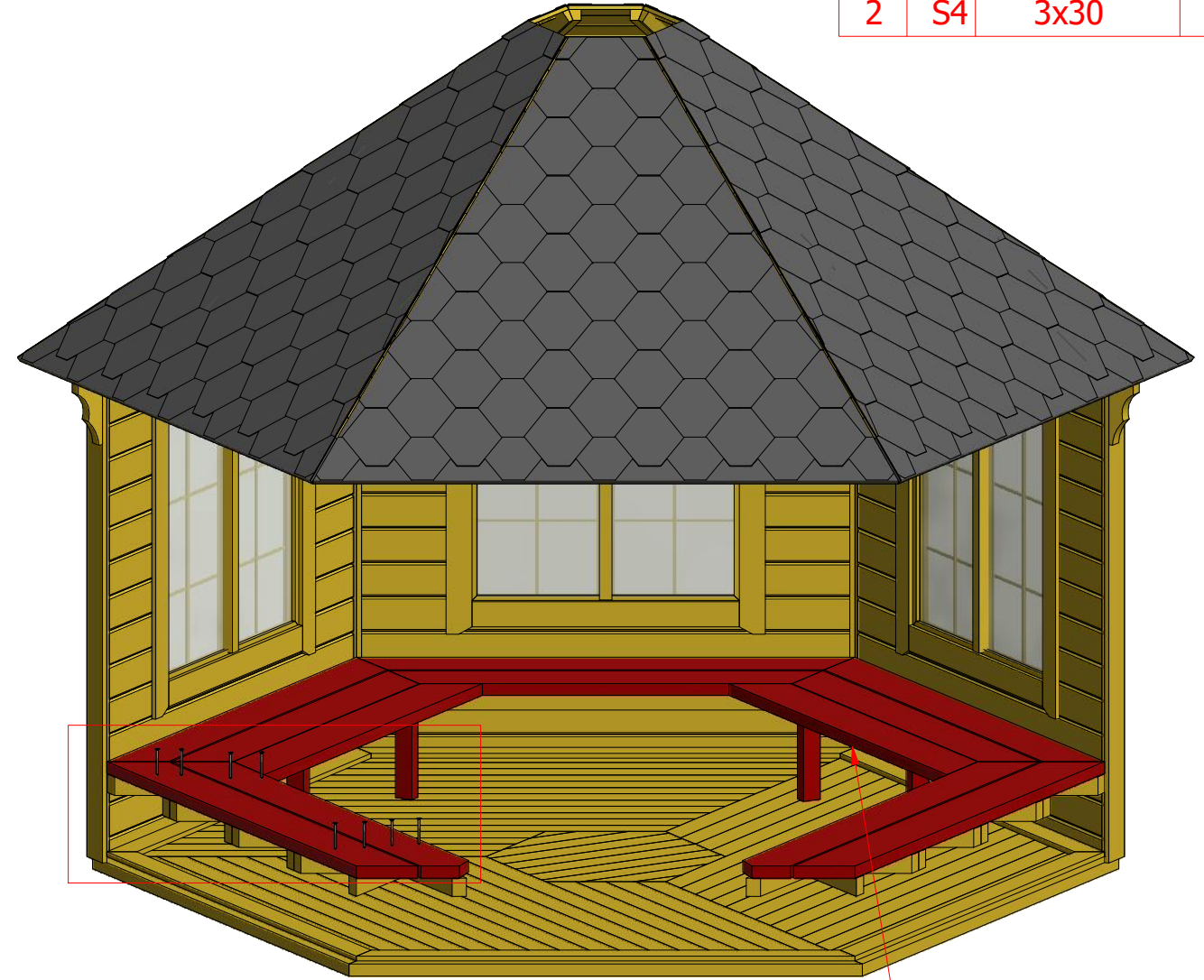
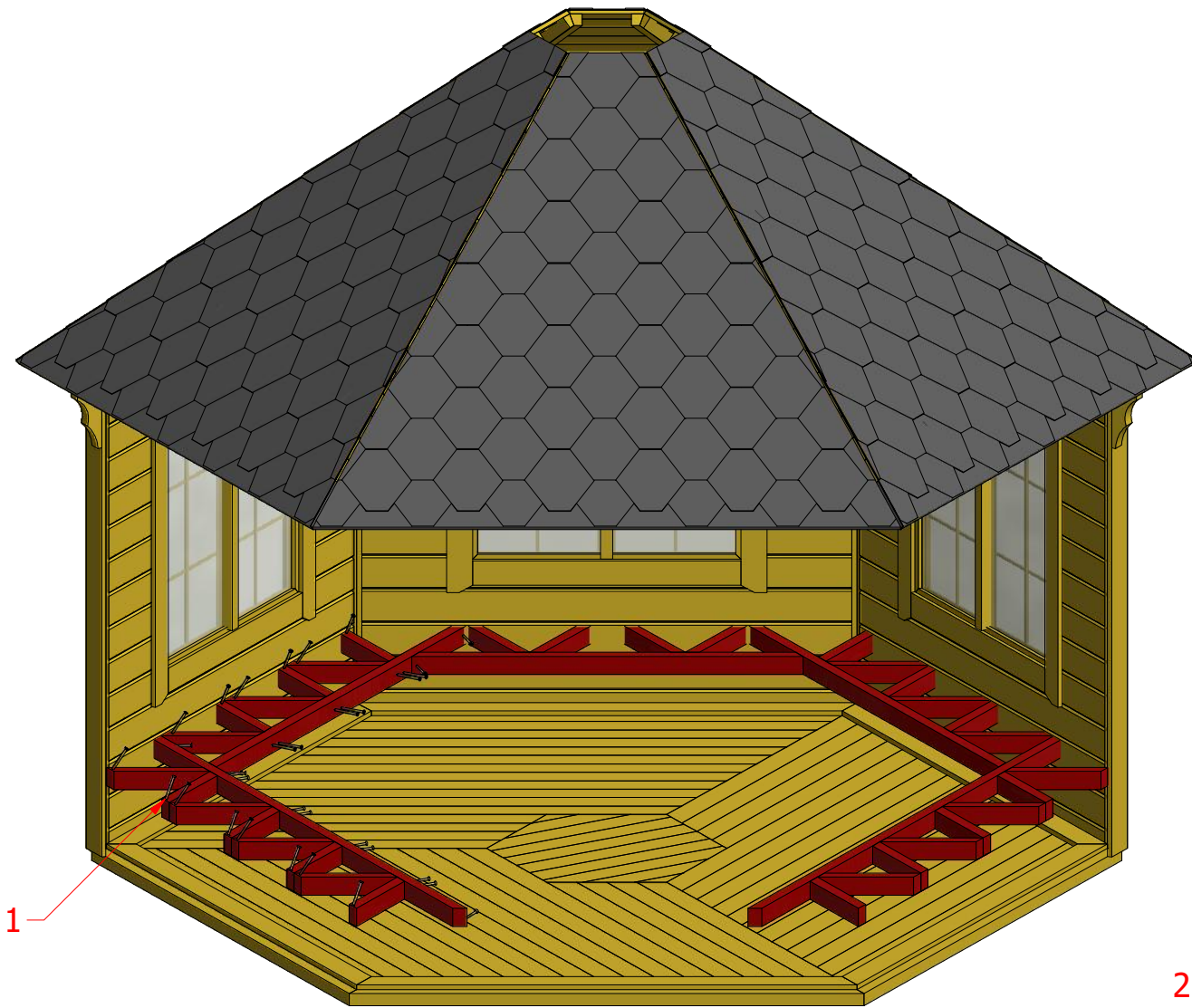
1	S3	3.5x45	24 pcs



Pavilion 9.2 m²

Screws

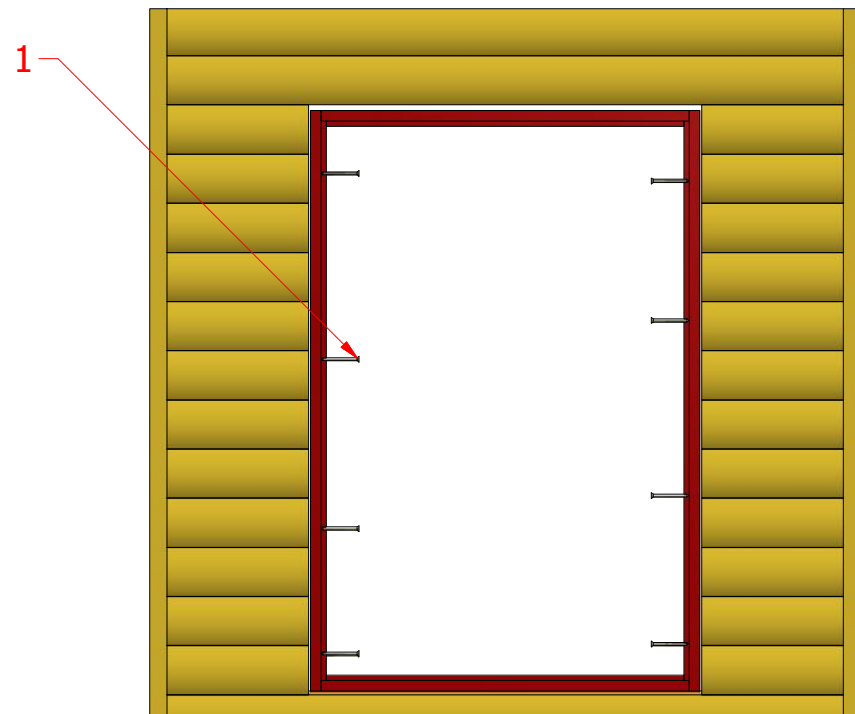
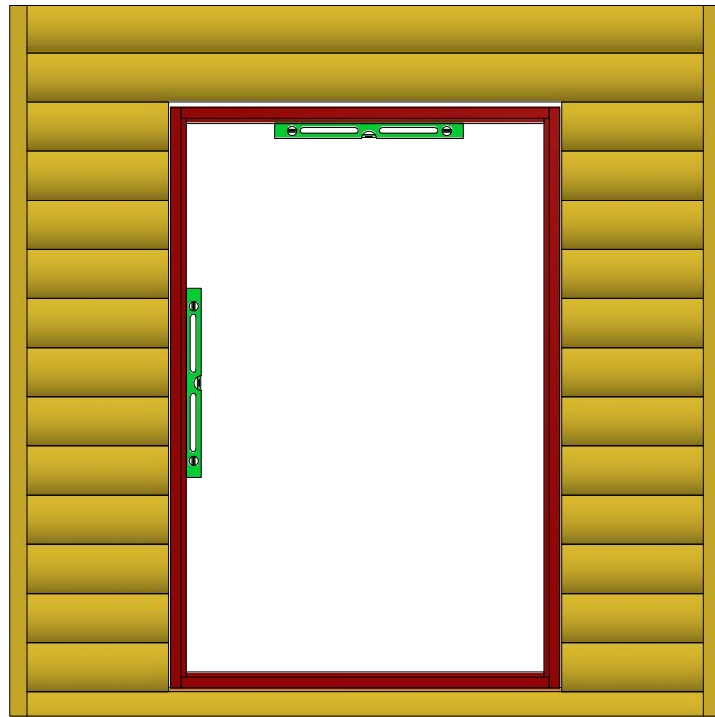
1	S2	4x70	114 pcs
2	S4	3x30	40 pcs



Pavilion 9.2 m²

Screws

1	S2	40x70	8 pcs



Pavilion 9.2 m²

Screws

1	S3	3.5x45	52 pcs



Pavilion 9.2 m²

Screws

1	S2	4x70	3 pcs
2	V1	2.5x25	

